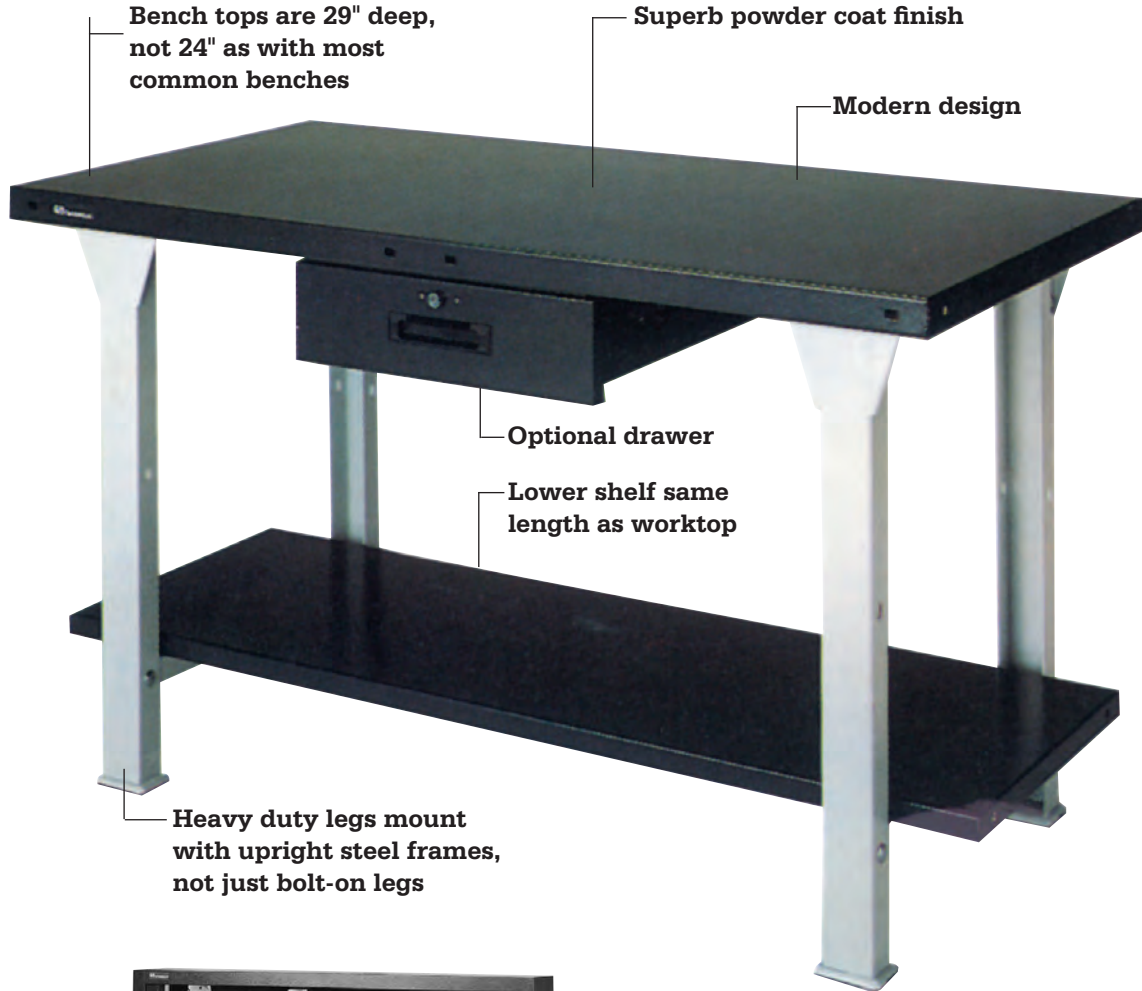


## Rugged, Heavy Duty, Quality Steel Construction



Shown with tool cabinet mounted to work bench

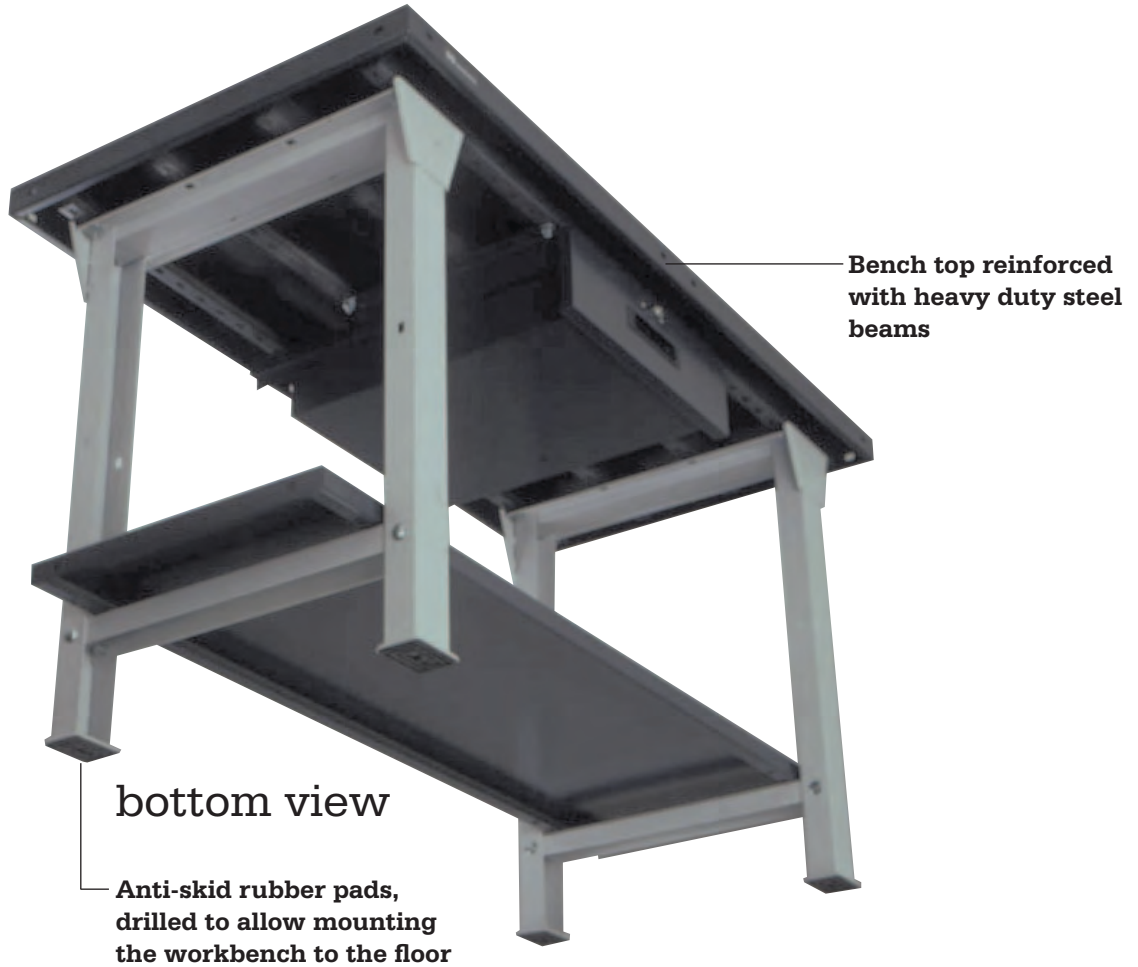


Optional drawer 284-100



Note: All workbenches shipped disassembled in two cartons, one contains work top and lower shelf, the other contains legs, supports and all mounting hardware.

## Rugged, Heavy Duty, Quality Steel Construction



### Workbenches

**Model 280-200**

40" heavy duty steel workbench.

**Model 280-300**

50" heavy duty steel workbench.

**Model 280-400**

60" heavy duty steel workbench.

**Model 280-500**

70" heavy duty steel workbench.

### Drawer

**Model 284-100**

Optional lockable, divided drawer constructed of same gauge steel as bench.

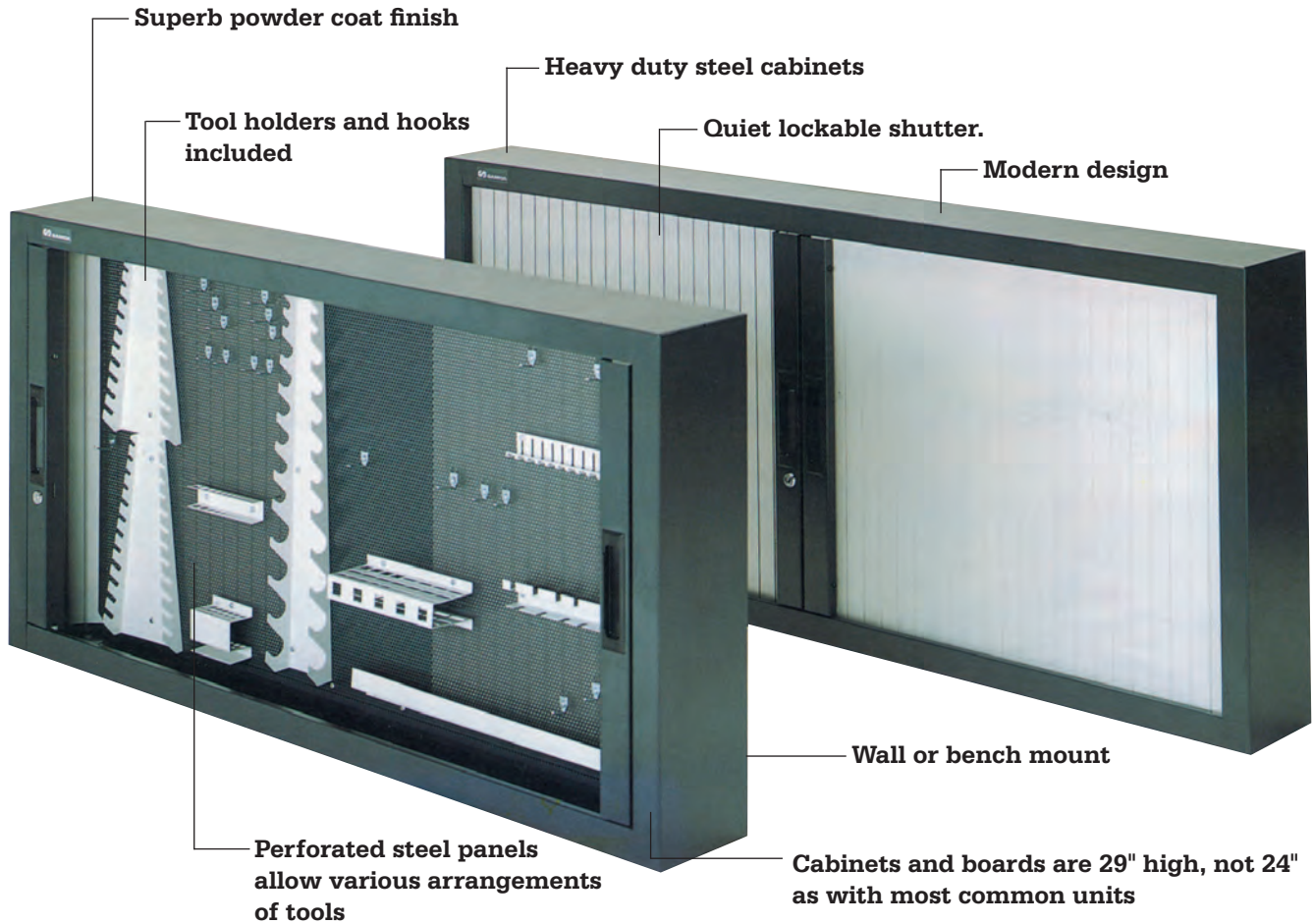
### Rail Kits

**Model 289-312**

60" rail kit. (Fits 60" Bench)

**Model 289-314**

70" rail kit. (Fits 70" Bench)



### Tool cabinets

**Model 281-200**  
40" heavy duty steel cabinet.

**Model 281-300**  
50" heavy duty steel cabinet.

**Model 281-400**  
60" heavy duty steel cabinet.

**Model 281-500**  
70" heavy duty steel cabinet.



289-105



289-205

### Mounting brackets

**Model 289-105**  
Two mounting brackets for connecting bench top with tool cabinet. Includes bolts.

**Model 289-205**  
Two mounting brackets for connecting bench top with tool board. Includes bolts.

### Tool boards

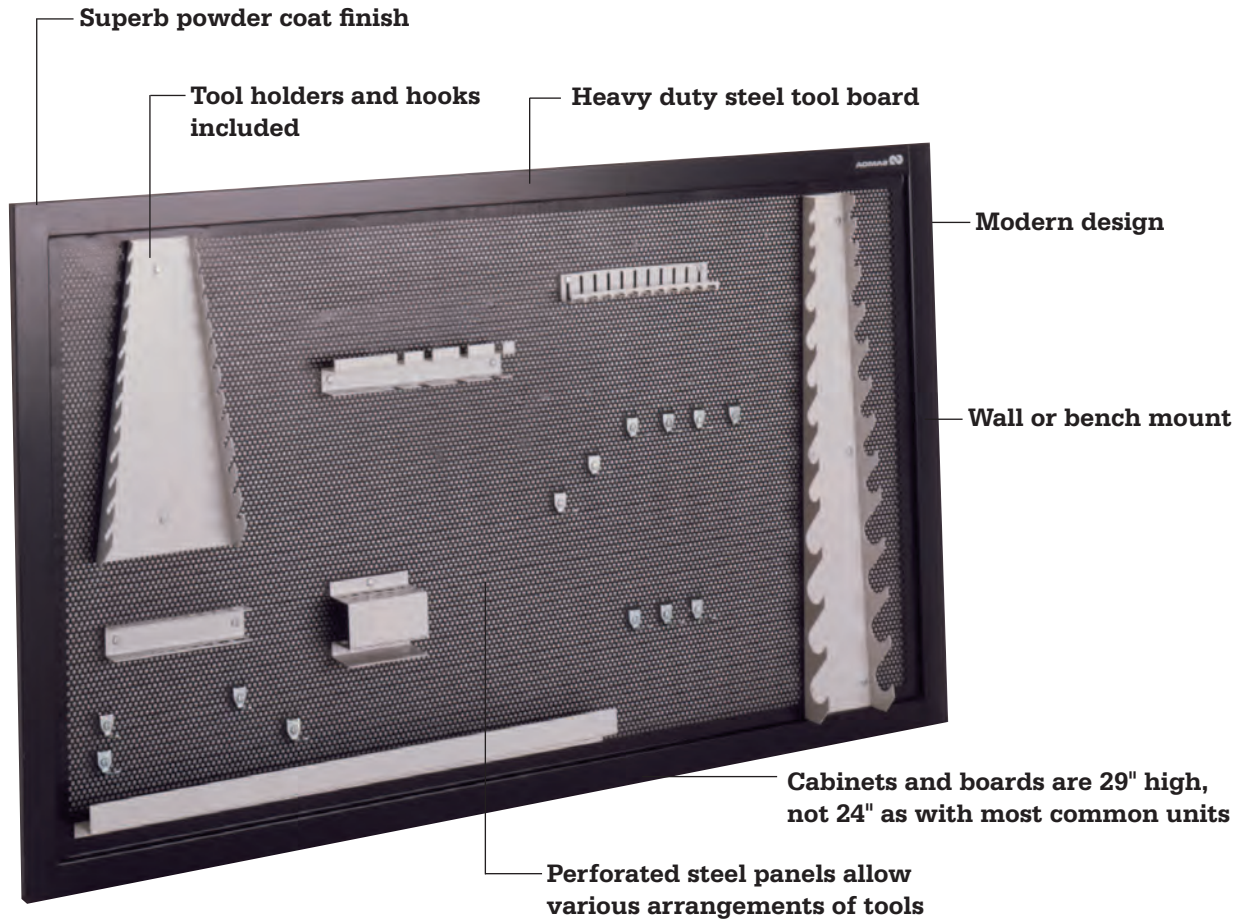
**Model 282-200**  
40" heavy duty steel board.

**Model 282-300**  
50" heavy duty steel board.

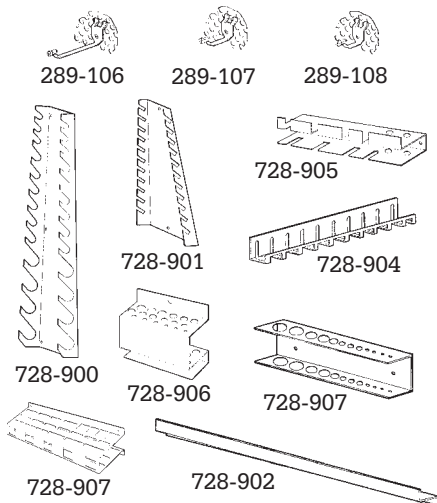
**Model 282-400**  
60" heavy duty steel board.

**Model 282-500**  
70" heavy duty steel board.

### HEAVY DUTY TOOL BOARDS



### TOOL HOOKS AND HANGERS



#### Model 289-100

Hooks and hanger kit. Included with all 40" and 50" cabinets and boards. (See table below for quantity of each item)

#### Model 289-101

Hooks and hanger kit. Included with all 60" and 70" cabinets and boards. (See table below for quantity of each item)

Model	Description	289-100	289-101
289-106	3" Hook (L) 15/package	-	15
289-107	1 1/4" Hook (M) 15/package	15	15
289-108	3/4" Hook (S) 15/package	15	15
728-900	Hex wrench rack	1	1
728-901	Open and box end wrench rack	1	2
728-902	Rack for sockets	1	1
728-903	Allen wrench holder	1	1
728-904	Pliers rack	1	1
728-905	Screwdriver rack	1	1
728-906	Drill bits holder	1	1
728-907	Multi-tool holder	-	1



**Model 283-200**

Heavy duty three shelved, big wheel service cart with locking brake. Shown with optional drawer model 284-201.

Smooth Friendly Design

Powder Coat Finish

Large 6" wheels

Locking Caster Brake



**Model 284-201**

Optional drawer for heavy duty service cart.

Powder Coat Finish

Keeps small tools at hand

**Bring your  
special tools  
to your workspace**

**Heavy duty  
service cart**

- 30" wide,
- 18" deep,
- 33" high.

Shown with following options:

- Drawer, (model 284-201)
- Tool Board, <sup>(1)</sup>(model 282-100)
- Tool Board mounting brackets, (model 289-206)

<sup>(1)</sup>Note: Includes hooks and tool holder package 289-100 listed on page 5



**MODEL NO.                      DESCRIPTION                      WEIGHT**

**WORK BENCHES                      (Shipped in Two Cartons)**

280-200	<b>40" H.D. Deluxe Work Bench</b> includes 280-201 & 280-000	125
280-300	<b>50" H.D. Deluxe Work Bench</b> includes 280-301 & 280-000	142
280-400	<b>60" H.D. Deluxe Work Bench</b> includes 280-401 & 280-000	160
280-500	<b>70" H.D. Deluxe Work Bench</b> includes 280-501 & 280-000	172

**PLEASE NOTE:**  
Benches are listed as 60" Workbench, etc.  
The bench will measure 59 5/8" long.  
However, the 60" description is to be sure 60"  
is allowed when fitting the benches into areas  
with crowded space conditions.

**DRAWERS                      (Shipped in One Carton)**

284-100	<b>H.D. Locking Bench Drawer. 60" and 70"</b> Benches will hold 2 drawers.	20
---------	---	----

**TOOL CABINETS                      (Shipped in One Carton)**

281-200	<b>40" H.D. Deluxe Tool Cabinet</b> includes (1) 289-100 Hooks and Hangers Kit	53
281-300	<b>50" H.D. Deluxe Tool Cabinet</b> includes (1) 289-100 Hooks and Hangers Kit	66
281-400	<b>60" H.D. Deluxe Tool Cabinet</b> includes (1) 289-101 Hooks and Hangers Kit	80
281-500	<b>70" H.D. Deluxe Tool Cabinet</b> includes (1) 289-101 Hooks and Hangers Kit	93

**TOOL BOARDS                      (Shipped in One Carton)**

282-100	<b>30" Steel Tool Board 29 1/2" x 29 1/2"</b> includes (1) 289-107 Hooks and Hangers Kit	15
282-200	<b>40" Steel Tool Board 39 1/2" x 29 1/2"</b> includes (1) 289-101 Hooks and Hangers Kit	22
282-300	<b>50" Steel Tool Board 49 1/2" x 29 1/2"</b> includes (1) 289-101 Hooks and Hangers Kit	27
282-400	<b>60" Steel Tool Board 59 1/2" x 29 1/2"</b> includes (1) 289-101 Hooks and Hangers Kit	33
282-500	<b>70" Steel Tool Board 69 1/2" x 29 1/2"</b> includes (1) 289-101 Hooks and Hangers Kit	38

**TOOL CARTS                      (Shipped in One Carton)**

283-200	<b>H.D. Deluxe Tool Cart 30" x 18" x 33" high</b>	48
284-201	<b>Drawer for Tool Cart</b>	12

**MOUNTING BRACKETS                      (Shipped in One Carton)**

289-105	<b>For Mounting Cabinet to Bench</b>	4
289-205	<b>For Mounting the Tool Board to Bench</b>	4
289-206	<b>For Mounting Tool Board to Cart</b>	4

**TOOL HANGERS AND HOOKS**

289-100	<b>Set 7 Tool Hangers and 30 Hooks, S/M</b>	8
289-101	<b>Set 9 Tool Hangers and 45 Hooks, S/M/L</b>	10
289-106	<b>Set 15 Long (3") Hooks</b>	6
289-107	<b>Set 15 Medium (1 1/4") Hooks</b>	4
289-108	<b>Set 15 Short (3/4") Hooks</b>	4

**RAIL KITS**

289-312	<b>Rail Kit for 60" Work Bench</b>	8
289-314	<b>Rail Kit for 70" Work Bench</b>	9

**SHOP FURNITURE is shipped F.O.B. SAMSON Corporation.**  
**Please contact factory for freight arrangements.**